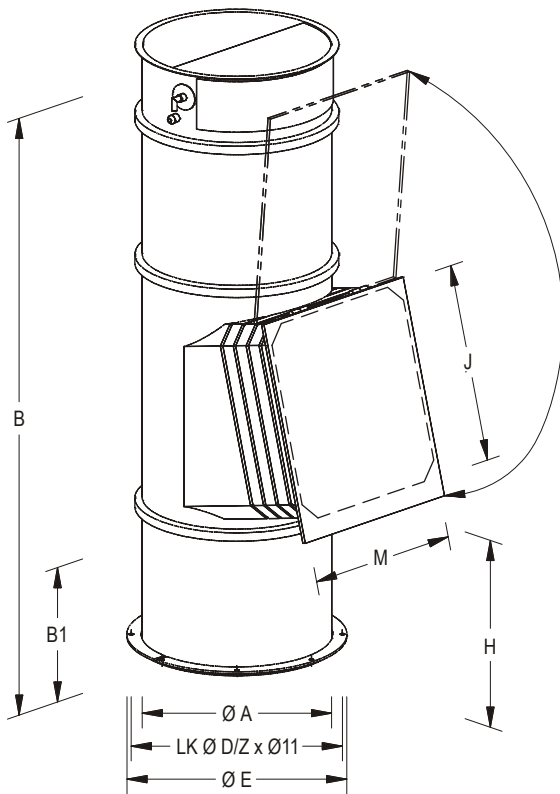


80 [Top mounted filter apparatus for sack feeding]

The top mounted filter apparatus for sack feeding [type 80] is preferred where a product is to be supplied to a process manually at the same time preventing or minimizing the formation of dust.



standard version - extent of delivery

- permissible in the food sector
- integrable in existing systems
- corrosion resistant
- material ⇒ seawater proof aluminium
- lightweight construction
- no static problems
- mounting ⇒ divided loose flange
- protective grille
- demountable
- rotatable by 360°
- regeneration ⇒ C fully automatic regeneration with compressed air »On-line-operation« [time control]
- jet module with valve box, valves and electronic control
- one compressed air pulse regenerates three filter elements at a time
- working ⇒ up to 60°C
- ⇒ from 5000 Pa (500 mmWS) underpressure
- ⇒ up to 5000 Pa (500 mmWS) overpressure
- power supply ⇒ 230 V AC, 40-60 Hz, 10 W
- compressed air supply ⇒ 3 up to 6 bar
- ⇒ oil and waterfree
- hose connection ⇒ nominal width 13 mm

alternative option

- material ⇒ stainless steel
- ⇒ steel
- mounting ⇒ welding ring with clamping ring connection recommended (instead of the divided loose flange)
- regeneration ⇒ F no regeneration (reservoir-, safety-, police-, storage filter)
- ⇒ mechanical, semi-automatic regeneration by the shaker motor »off-line-operation« storage filter with interruption for the regeneration)
- ⇒ CD fully automatic regeneration with compressed air »on-line-operation« [differential pressure control with measure line cleaning] circuit pressure control [NDM] optional
- power supply ⇒ 115 V AC, 40-60 Hz, 10 W
- ⇒ 24 V DC, 12 W with compressed air supply
- 2 up to 4 bar
- for reduced explosion pressure [ST 1]
- other temperatures and pressures on request

additional equipment

- door with limit switch ⇒ automatic start of the fan when opening the door
- expandable by the modular system (see product sheet »PM-Z-...DOC«)

C 80			technical data				size									
type	R	m ²	star filter			door	Ø A	B	B ₁	Ø D	Ø E	H	J	M	Z	
			kg	n	cm*											n
C 80 05 044/...-..	05	3,9 - 7,7	58	9	40	1	530	1775	420	590	615	540	560	520	8	
C 80 07 044/...-..	07	6,5 - 12,9	97	15	40	1	730	1775	420	790	815	540	560	620	12	
C 80 10 044/...-..	10	12,9 - 25,8	145	30	40	1	1000	1775	420	1060	1085	540	560	720	16	

* standard length

please complete type with filter media and number of folds (»see PM-TS-01.DOC«)
example: C 80 05 044/903-30

