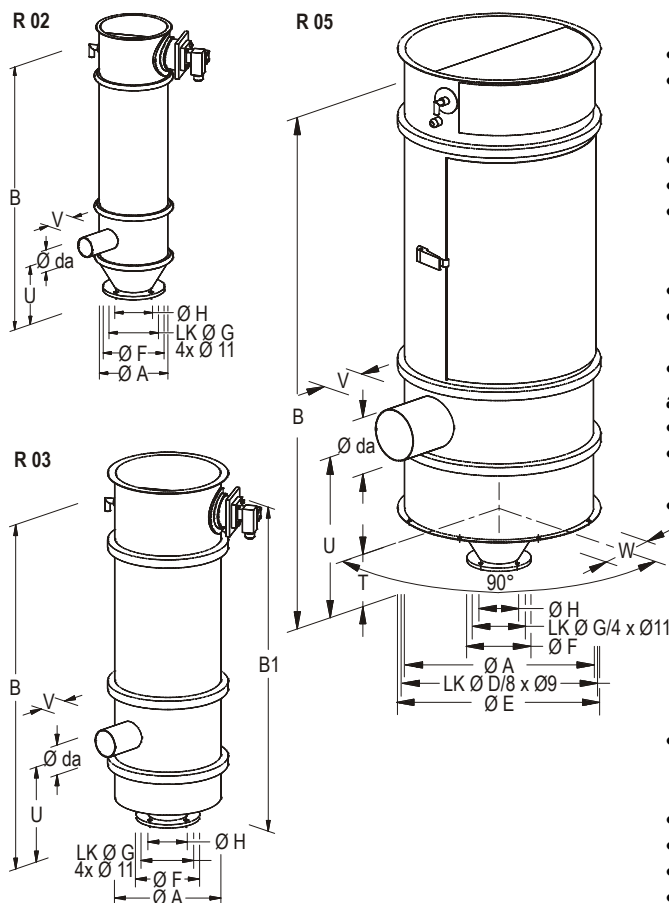


50 [Product filter apparatus]

The product filter apparatus [type 50] is especially suitable for aspirating workplaces and machines where the separated product is returned into the process or collected.



standard version – extent of delivery

- permissible in the food sector
- integrable in existing systems
- material ⇒ seawater proof aluminium
- mounting ⇒ series 02 flange
⇒ series 03 EZ [welding ring]
⇒ series 05; 07; 10 fastened with screws at the housing
- corrosion resistant and rotatable up to 360°
- regeneration ⇒ C fully automatic regeneration with compressed air »On-line-operation« [time control]
- jet module with valve box, valves and electronic control
- one compressed air pulse regenerates three filter elements at a time
- operational ⇒ up to 60°C
⇒ from 5000 Pa (500 mmWS) underpressure
⇒ up to 5000 Pa (500 mmWS) overpressure
- power supply ⇒ 230 V AC, 40-60 Hz, 10 W
- compressed air supply ⇒ 3 up to 6 bar
⇒ oil and waterfree
- hose connection ⇒ nominal width 13 mm

alternative option

- material ⇒ stainless steel, steel
- mounting ⇒ GE [rack],
⇒ WA [wall holder] for series R 02, R 03
- regeneration ⇒ F no regeneration (reservoir-, safety-, police storage filter)
⇒ B mechanical, semi-automatic regeneration by the shaker motor »off-line-operation« (storage filter with interruption for the regeneration«)
⇒ CD fully automatic regeneration with compressed air »on-line-operation« [differential pressure control with measure line cleaning] circuit pressure control [NDM] optional
- power supply ⇒ 115 V AC, 40-60 Hz, 10 W
⇒ 24 V DC, 12 W with compressed air supply 2 up to 4 bar
- other Ø da for connection piece on request
- for reduced explosion pressure [ST 1], from series R 05 [ST 3]
- other temperatures and pressures on request
- expandable by the modular system (see product sheet »PM-Z-...DOC«)

C 50		technical data					size												
type	R	m ²	kg	star filter n	door cm*	door n	Ø A mm	B mm	B ₁ mm	Ø D mm	Ø da mm	Ø E mm	Ø F mm	Ø G mm	Ø H mm	T mm	U mm	V mm	W mm
C 50 02 024/...-...	02	0,2 - 0,4	10	1	20	0	200	565	—	—	40	—	180	145	100	—	199	100	—
C 50 02 044/...-...	02	0,4 - 0,9	11	1	40	0	200	810	—	—	60	—	180	145	100	—	199	100	—
C 50 02 064/...-...	02	0,7 - 1,3	12	1	60	0	200	1110	—	—	60	—	180	145	100	—	199	100	—
C 50 02 104/...-...	02	1,1 - 2,2	13	1	100	0	200	1510	—	—	80	—	180	145	100	—	199	100	—
C 50 03 024/...-...	03	0,6 - 1,2	18	3	20	0	300	848	775	—	60	—	180	145	100	—	308	100	—
C 50 03 044/...-...	03	1,3 - 2,6	20	3	40	0	300	1048	975	—	80	—	180	145	100	—	308	100	—
C 50 03 064/...-...	03	2,0 - 3,9	22	3	60	0	300	1348	1275	—	100	—	180	145	100	—	308	100	—
C 50 03 104/...-...	03	3,3 - 6,6	26	3	100	0	300	1735	1785	—	100	—	180	145	100	—	308	100	—
C 50 05 024/...-...	05	1,8 - 3,7	55	9	20	0	530	1031	—	550	100	570	180	145	100	160	490	150	200
C 50 05 044/...-...	05	3,9 - 7,7	60	9	40	1	530	1231	—	550	100	570	180	145	100	160	490	150	200
C 50 05 064/...-...	05	5,9 - 11,8	70	9	60	1	530	1531	—	550	150	570	180	145	100	160	490	150	200
C 50 05 104/...-...	05	9,9 - 19,8	78	9	100	1	530	2041	—	550	180	570	180	145	100	160	490	150	200
C 50 07 024/...-...	07	3,0 - 6,2	68	15	20	0	730	1154	—	750	150	770	230	200	150	294	600	150	200
C 50 07 064/...-...	07	9,8 - 19,6	88	15	60	1	730	1654	—	750	180	770	230	200	150	294	600	150	200
C 50 07 104/...-...	07	16,5 - 33,1	104	15	100	1	730	2364	—	750	300	770	230	200	150	294	700	150	200
C 50 10 024/...-...	10	6,0 - 12,4	122	30	20	0	1000	1383	—	1020	150	1040	230	200	150	523	850	150	200
C 50 10 064/...-...	10	19,6 - 39,3	150	30	60	1	1000	2083	—	1020	300	1040	230	200	150	523	950	150	200
C 50 10 104/...-...	10	33,1 - 66,1	165	30	100	2	1000	2593	—	1020	355	1040	230	200	150	523	950	150	200

* standard length

please complete type with filter media and number of folds (see »PM-TS-01.DOC«)

example: C 50 05 064/903-30