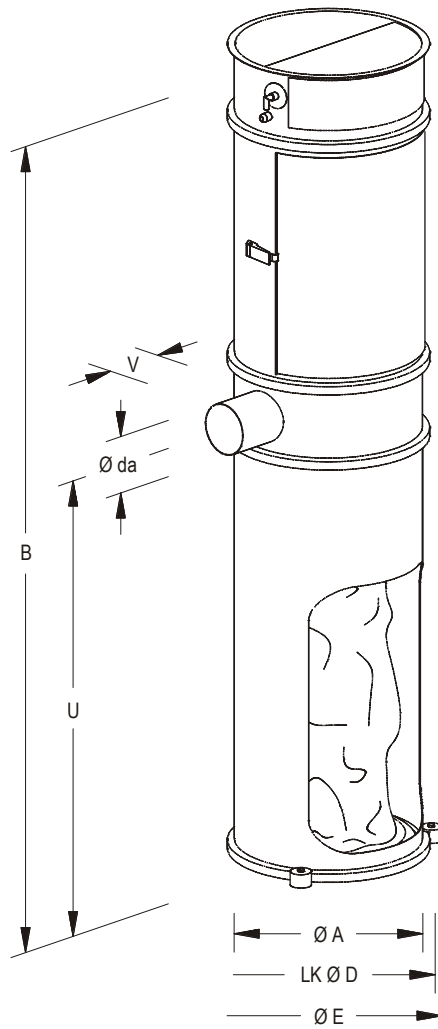


20 [Stand filter apparatus]

The stand filter apparatus [type 20] is particularly suitable for aspirating workplaces and machines where the separated product should not be returned immediately.



standard version – extent of delivery

- permissible in the food sector
- integrable in existing systems
- corrosion resistant
- material ⇒ seawater proof aluminium
- lightweight construction
- no static problems
- STS [bulk material sack/PE]
- mounting ⇒ 3 bottom claws
- demountable
- rotatable by 360°
- regeneration ⇒ **C** fully automatic regeneration with compressed air »On-line-operation« [time control]
- jet module with valve box, valves and electronic control
- one compressed air pulse regenerates three filter elements at a time
- operational ⇒ up to 60°C
- ⇒ from 5000 Pa (500 mmWS) underpressure
- ⇒ up to 5000 Pa (500 mmWS) overpressure
- power supply ⇒ 230 V AC, 40-60 Hz, 10 W
- compressed air supply ⇒ 3 up to 6 bar
- ⇒ oil and waterfree
- hose connection ⇒ nominal width 13 mm

alternative options

- material ⇒ stainless steel
- ⇒ steel
- regeneration ⇒ **F** no regeneration (reservoir-, safety-, police-, storage filter)
- ⇒ **B** mechanical, semi-automatic regeneration by the shaker motor »off-line-operation« (storage filter with interruption for the regeneration)
- ⇒ **CD** fully automatic regeneration with compressed air »on-line-operation« [differential pressure control with measure line cleaning]
- ⇒ circuit pressure control [NDM] optional
- power supply ⇒ 115 V AC, 40-60 Hz, 10 W
- ⇒ 24 V DC, 12 W with compressed air supply 2 up to 4 bar
- other Ø da for connection piece on request
- for reduced explosion pressure [ST 1]
- other temperatures and pressures on request

additional equipment

- expandable by the modular system (see product sheet »PM-Z...DOC«)

C 20		technical data					size						
type	R	m ²	kg	star filter n	door n	cm*	Ø A mm	B mm	Ø D mm	Ø da mm	Ø E mm	U mm	V mm
C 20 05 064/...-..	05	5,9 - 11,8	83	9	1	60	530	2410	600	150	660	1360	150
C 20 05 104/...-..	05	9,9 - 19,8	90	9	1	100	530	2920	600	180	660	1360	150
C 20 07 064/...-..	07	9,8 - 19,6	110	15	1	60	730	2410	800	180	860	1360	150
C 20 07 104/...-..	07	16,5 - 33,1	120	15	1	100	730	3120	800	300	860	1460	150
C 20 10 064/...-..	10	19,6 - 39,3	178	30	1	60	1000	2610	1070	300	1130	1460	150
C 20 10 104/...-..	10	33,1 - 66,1	194	30	2	100	1000	3120	1070	355	1130	1460	150

* standard length

please complete type with filter media and number of folds (see »PM-TS-01.DOC«)

example: C 20 05 104/903-30

