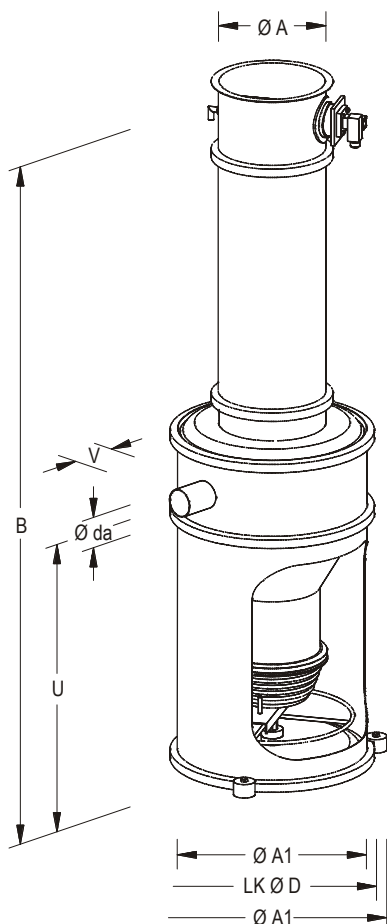


13 [Small stand filter apparatus]

The small stand filter apparatus [type 13] is particularly suitable for aspirating workplaces and machines where the separated product should not be returned immediately.

standard version - extent of delivery

- permissible in the food sector
- integrable in existing systems
- corrosion resistant
- material ⇒ seawater proof aluminium
- STT [dust pot] ⇒ stainless steel (6 litres)
- lightweight construction
- no static problems



- mounting ⇒ 3 bottom claws
- demountable
- rotatable by 360°
- regeneration ⇒ **C** fully automatic regeneration with compressed air »On-line-operation« [time control]
- jet module with valve box, valves and electronic control
- 1 compressed air pulse regenerates 3 filter elements at a time
- operational ⇒ up to 60°C
- ⇒ from 5000 Pa (500 mmWS) underpressure
- ⇒ up to 5000 Pa (500 mmWS) overpressure
- power supply ⇒ 230 V AC, 40-60 Hz, 10 W
- compressed air supply ⇒ 3 up to 6 bar
- ⇒ oil and water free
- hose connection ⇒ nominal width 13 mm

alternative options

- material ⇒ stainless steel
- ⇒ steel
- regeneration ⇒ **F** no regeneration (reservoir-, safety-, police-, storage filter)
- ⇒ **B** mechanical, semi-automatic regeneration by the shaker motor »off-line-operation« (storage filter with interruption for the regeneration)
- ⇒ **CD** fully automatic regeneration with compressed air »on-line-operation« [differential pressure control with measure line cleaning]
- ⇒ circuit pressure control [NDM] optional
- power supply ⇒ 115 V AC, 40-60 Hz, 10 W
- ⇒ 24 V DC, 12 W with compressed air supply
- 2 up to 4 bar
- other Ø da for connection piece on request
- for reduced explosion pressure [ST 1]
- other temperatures and pressures on request
- filter head heating

additional equipment

- expandable by the modular system (see product sheet »PM-Z-...DOC«)

C 13		technical data					size							
type	R	m ²	kg	star filter n	door cm*	door n	Ø A mm	Ø A1 mm	B mm	Ø D mm	Ø da mm	Ø E mm	U mm	V mm
C 13 02/05 024/...-..	02	0,2 - 0,4	38	1	20	0	200	530	1400	600	40	660	850	100
C 13 02/05 044/...-..	02	0,4 - 0,9	39	1	40	0	200	530	1650	600	60	660	850	100
C 13 02/05 064/...-..	02	0,7 - 1,3	40	1	60	0	200	530	1950	600	60	660	850	100
C 13 02/05 104/...-..	02	1,1 - 2,2	42	1	100	0	200	530	2350	600	80	660	850	100
C 13 03/05 024/...-..	03	0,6 - 1,2	45	3	20	0	300	530	1545	600	60	660	850	100
C 13 03/05 044/...-..	03	1,3 - 2,6	47	3	40	0	300	530	1745	600	80	660	850	100
C 13 03/05 064/...-..	03	2,0 - 3,9	49	3	60	0	300	530	2045	600	100	660	850	100
C 13 03/05 104/...-..	03	3,3 - 6,6	53	3	100	0	300	530	2420	600	100	660	850	100

* standard length

please complete type with filter media and number of folds (see »PM-TS-01.DOC«)

example: C13 03/05 064/903-30

