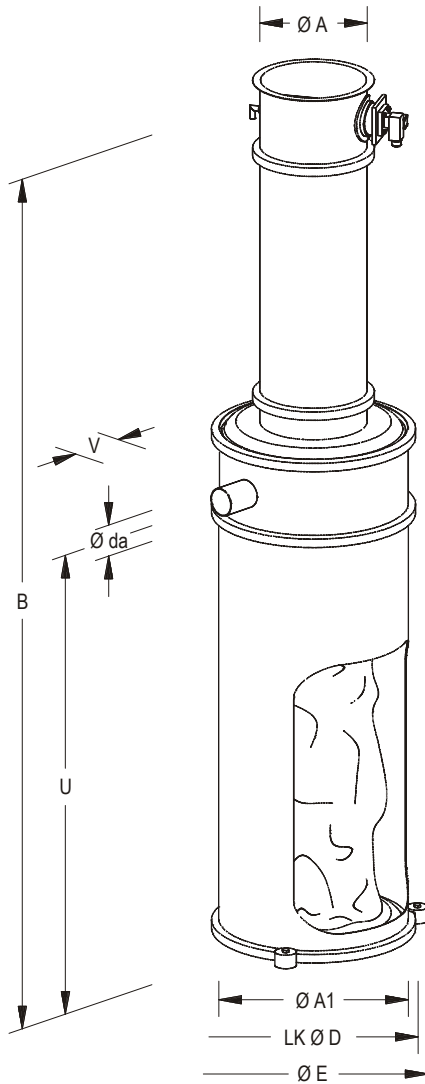


12 [Small stand filter apparatus]

The small stand filter apparatus [type 12] is particularly suitable for aspirating workplaces and machines where the separated product should not be returned immediately.



standard version - extent of delivery

- permissible in the food sector
- integrable in existing systems
- corrosion resistant
- material ⇒ seawater proof aluminium
- lightweight construction
- no static problems
- STS [bulk material sack/PE]
- mounting ⇒ 3 bottom claws
- demountable
- rotatable by 360°
- regeneration ⇒ **C** fully automatic regeneration with compressed air »on-line-operation« [time control]
- jet module with valve box, valves and electronic control
- one compressed air pulse regenerates three filter elements at a time
- operational ⇒ up to 60°C
- ⇒ from 5000 Pa (500 mmWS) underpressure
- ⇒ up to 5000 Pa (500 mmWS) overpressure
- power supply ⇒ 230 V AC, 40-60 Hz, 10 W
- compressed air supply ⇒ 3 up to 6 bar
- ⇒ oil and waterfree
- hose connection ⇒ nominal width 13 mm

alternative options

- material ⇒ stainless steel
- ⇒ steel
- regeneration ⇒ **F** no regeneration (reservoir-, safety-, police-, storage filter)
- ⇒ **B** mechanical, semi-automatic regeneration by the shaker motor »off-line-operation« (storage filter with interruption for the regeneration)
- ⇒ **CD** fully automatic regeneration with compressed air »on-line-operation« [differential pressure control with measure line cleaning]
- circuit pressure control [NDM] optional
- power supply ⇒ 115 V AC, 40-60 Hz, 10 W
- ⇒ 24 V DC, 12 W with compressed air supply
- 2 up to 4 bar
- other Ø da for connection piece on request
- for reduced explosion pressure [ST 1]
- other temperatures and pressures on request

additional equipment

- expandable by the modular system (see product sheet »PM-Z-...DOC«)

C 12		technical data					size							
type	R	m ²	kg	star filter n	door n	cm*	Ø A mm	Ø A1 mm	B mm	Ø D mm	Ø da mm	Ø E mm	U mm	V mm
C 12 02/05 024/...-	02	0,2 - 0,4	35	1	20	0	200	530	2180	600	40	660	1360	100
C 12 02/05 044/...-	02	0,4 - 0,9	36	1	40	0	200	530	2480	600	60	660	1360	100
C 12 02/05 064/...-	02	0,7 - 1,3	37	1	60	0	200	530	2480	600	60	660	1360	100
C 12 02/05 104/...-	02	1,1 - 2,2	39	1	100	0	200	530	2880	600	80	660	1360	100
C 12 03/05 024/...-	03	0,6 - 1,2	42	3	20	0	300	530	2240	600	60	660	1360	100
C 12 03/05 044/...-	03	1,3 - 2,6	43	3	40	0	300	530	2540	600	80	660	1360	100
C 12 03/05 064/...-	03	2,0 - 3,9	45	3	60	0	300	530	2540	600	100	660	1360	100
C 12 03/05 104/...-	03	3,3 - 6,6	50	3	100	0	300	530	2925	600	100	660	1360	100

* standard length

please complete type with filter media and number of folds (see »PM-TS-01.DOC«)

example: C 12 03/05 064/903-30

