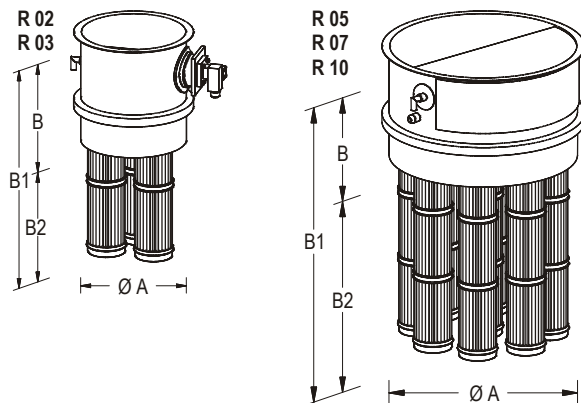


## 00 [Base filter apparatus]

The base filter apparatus [type 00] is the minimum equipment for the separation of bulk material and gas. This filter apparatus can be used as a safety filter for the aspiration respectively ventilation of conveying systems and for many other applications. In series 02 and 03 the control unit is installed laterally. Starting at series 05 the electronic devices and the valve box are installed inside the filter head. There is enough space provided for the installation of all optional add-on modules which control the filter apparatus.



### standard version – extent of delivery

- permissible in the food sector
- integrable in existing systems
- corrosion resistance
- material ⇒ seawater proof aluminium
- lightweight construction
- no static problems
- mounting ⇒ EZ [welding ring]
- demountable
- rotatable by 360°
- regeneration ⇒ C fully automatic regeneration with compressed air »On-line-operation« [time control]
- jet module with valve box, valves and electronic control
- one compressed air pulse regenerates three filter elements at a time
- operational ⇒ up to 60°C  
⇒ from 5000 Pa (500 mmWS) underpressure  
⇒ up to 5000 Pa (500 mmWS) overpressure
- power supply ⇒ 230 V AC, 40-60 Hz, 10 W
- compressed air supply ⇒ 3 up to 6 bar  
⇒ oil- and waterfree
- hose connection ⇒ nominal width 13 mm

### alternative options

- material ⇒ stainless steel  
⇒ steel
- mounting ⇒ divided loose flange, flange, bottom flange GH FL (see product sheet »PM-Z-06«)
- regeneration ⇒ F no regeneration (reservoir-, safety-, police-storage filter)  
⇒ B mechanical, semi-automatic regeneration by the shaker motor »off-line-operation« (storage filter with interruption for the regeneration)  
⇒ CD fully automatic regeneration with compressed air »on-line-operation« [differential pressure control with measure line cleaning]  
circuit pressure control [NDM] optional
- power supply ⇒ 115 V AC, 40-60 Hz, 10 W  
⇒ 24 V DC, 12 W with compressed-air supply  
2 up to 4 bar
- pressure shock resistant up to 10 bar
- for reduced explosion pressure [ST 3]
- other temperatures and pressures on request
- filter head heating

### additional equipment

- expandable by the modular system (see product sheet »PM-Z-...DOC«)

### some examples:

- from off-line to on-line operation
- display and remote indication with an output terminal for a printer
- data transfer to MSM (controls and directs the functions of the filter apparatus)
- product separator for suction and pressure conveying system
- hopper with ball flap or rotary valve
- mounted filter apparatus as deaerator filter

C 00		technical data					size			
type	R	m <sup>2</sup>	kg	star filter n	door n	Ø A mm	B mm	B <sub>1</sub> mm	B <sub>2</sub> mm	
C 00 02 024/...-	02	0,2 - 0,4	8	1	20	0	200	205	400	195
C 00 02 044/...-	02	0,4 - 0,9	8	1	40	0	200	205	600	395
C 00 02 064/...-	02	0,7 - 1,3	8	1	60	0	200	205	800	595
C 00 02 104/...-	02	1,1 - 2,2	9	1	100	0	200	205	1200	995
C 00 03 024/...-	03	0,6 - 1,2	14	3	20	0	300	325	460	135
C 00 03 044/...-	03	1,3 - 2,6	16	3	40	0	300	325	660	335
C 00 03 064/...-	03	2,0 - 3,9	16	3	60	0	300	325	860	535
C 00 03 104/...-	03	3,3 - 6,6	17	3	100	0	300	325	1260	935
C 00 05 024/...-	05	1,8 - 3,7	37	9	20	0	530	325	460	135
C 00 05 044/...-	05	3,9 - 7,7	39	9	40	0	530	325	660	335
C 00 05 064/...-	05	5,9 - 11,8	41	9	60	0	530	325	860	535
C 00 05 104/...-	05	9,9 - 19,8	45	9	100	0	530	325	1260	935
C 00 07 024/...-	07	3,0 - 6,2	52	15	20	0	730	325	460	135
C 00 07 044/...-	07	6,5 - 12,9	55	15	40	0	730	325	660	335
C 00 07 064/...-	07	9,8 - 19,6	58	15	60	0	730	325	860	535
C 00 07 104/...-	07	16,5 - 33,1	65	15	100	0	730	325	1260	935
C 00 10 024/...-	10	6,0 - 12,4	90	30	20	0	1000	325	460	135
C 00 10 044/...-	10	12,9 - 25,8	95	30	40	0	1000	325	660	335
C 00 10 064/...-	10	19,6 - 39,3	102	30	60	0	1000	325	860	535
C 00 10 104/...-	10	33,1 - 66,1	114	30	100	0	1000	325	1260	935

\* standard length

please complete type with filter media and number of folds (see »PM-TS-01.DOC«)

example: C 00 05 064/903-30

