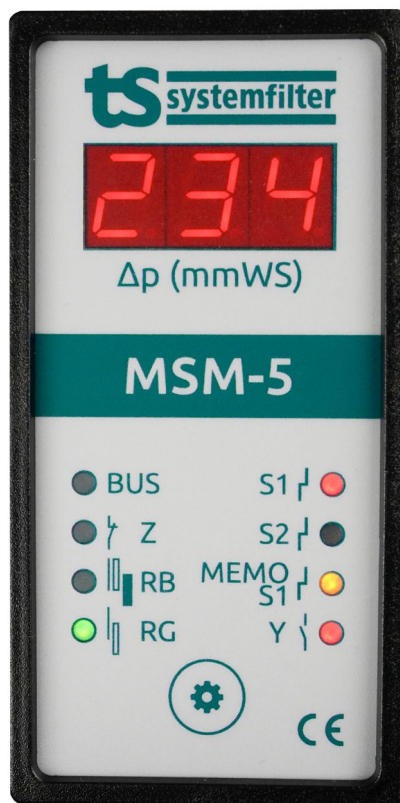


MSM-5 [Remote Signal Module]

The remote signal module MSM-5 is a control and remote display module that is installed in the control room. It shows the differential pressure from the filter appliance, supplies messages about the filter operation, can use as silo safety device from overpressure and fill level and control the safety devices. For this purpose, a level indicator in the silo and a pinch valve in the conveyor line can be mounted.

The Remote signal module MSM-5 is operated in conjunction with the filter control unit SCD 10.12, which supplies the power supply of 24 V DC. The filter control unit provides 5 different digital signals and a 4-20 mA signal corresponding to the differential pressure. To display the actual state the remote signal module has 4 switching outputs. These are designed as relay outputs so that devices with 24V, 2A DC as well as 230V, 1A AC can be connected. The digital pressure display shows the differential pressure of the filter and colored LEDs (green, yellow, red) indicate the status messages.



- simple installation: cut-out 45 x 92 mm
installation depth approx. 160 mm
- connection with spring-clamp terminals,
cross section 1.5 mm²
- observation of the filter operation and the system for
overpressure and fill level (max. reporter)
- monitoring from the control room
- fully automatic go up or shutdown of the
system is possible (pressure-controlled)
- 2 signal points (A++) freely selectable e.g. triggering
the signal horn (warning signal) and the pinch valve
(locking the plant)
- switching outputs conducted as relay outputs
- recorder to log the pressure differential behavior of
the system can be connected
- memory function for disturb signal
- can be integrated into an existing system at any
time (even with external filters)
- EMV-tested
- IP 65 front cover optionally available

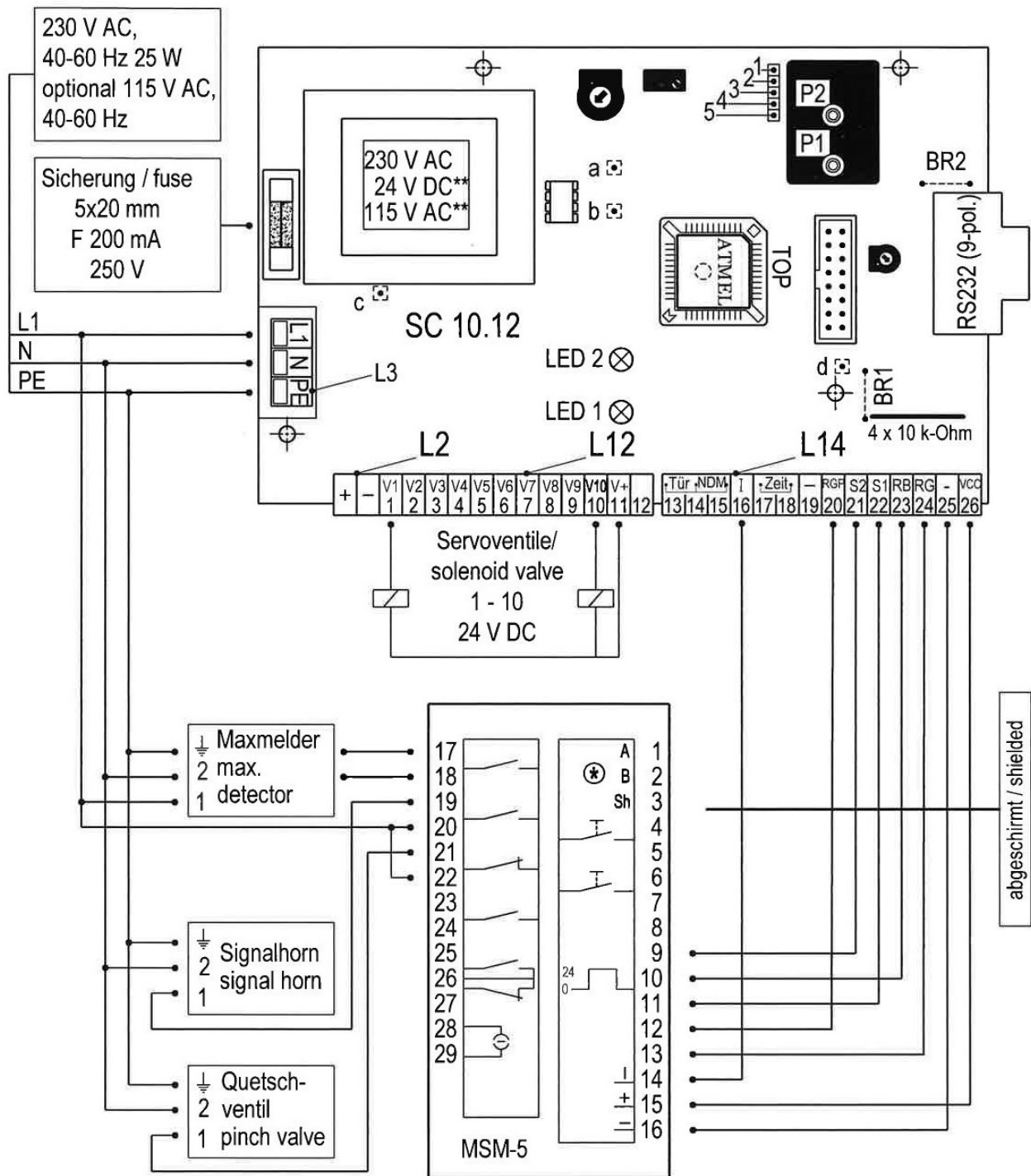
Y oder Maxmelder Y or max. detector		17
		18
max. 230V, 1A AC max. 24V, 2A DC	Signalhorn signal horn	19
		20
max. 230V, 1A AC max. 24V, 2A DC	Quetschventil pinch valve	21
		22
max. 230V, 1A AC max. 24V, 2A DC	Memo S1	23
		24
max. 230V, 1A AC max. 24V, 2A DC	S2	25
		26
		27
4mA= 0mmWS 10mA= 300mmWS	Δp Signal	28
		29

1	A	RS485 - in Vorbereitung / in preparation
2	B	
3	Sh	
4		Quetschventil - öffnen / schließen
5		pinch valve - open / close
6		Quittieren Memo S1
7		quit Memo S1
8		+24V
9		S2 24/0V
10		RB 24/0V
11		S1 24/0V
12		RG 0/24V
13		RG 0/24V
14		4-20mA Stromeingang / power input
15	+	24V DC Spannungsversorgung / power supply
16	-	GND

ts-systemfilter gmbh, DE-74744 Ahorn
Fon: +49 6296 88-0, www.ts-systemfilter.de



Connection Diagram
MSM-5 [Remote Signal Module] to the SCD 10.12 [Control unit]



Hinweis / Advice

Die Abschirmung in der Nähe der Steuerung anlegen! Alle Steuerkabel 1,5 mm² max. 300 m.
 Place the shield in the filter head near the control unit! All control cables 1,5 mm² max. 300 m.

⊛ RS485 in Vorbereitung / in preparation